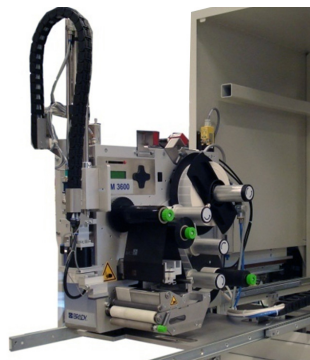
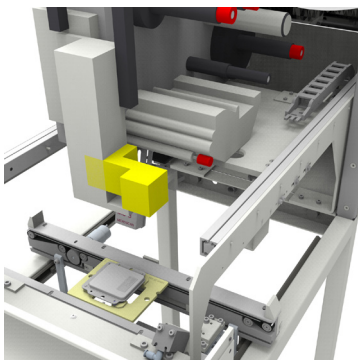


# EasyLabeler Label Marking System



- High speed In-Line Label Marking
- Medium Volume High Mix
- Modular Cell Structure
- Fixed Labeling Area
- User Friendly HMI
- 300 or 600 dpi Printer
- PCB or Carrier Transport
- Fast PCB Exchange Time



# EasyLabeler Label Marking System

PCB Specification	
PCB Width:	50 - 460 mm
PCB Length:	50 - 460 mm
PCB Ratio:	0,8 (length $\geq$ 0,8 x width)
PCB Thickness:	0,8 - 4 mm
Component height (top side):	max. 40 mm
Component height (bottom side):	max. 25 mm
PCB Edge support:	2,0 - 4,5 mm adjustable (optional carrier edge support 10 mm)
PCB Weight:	2,5 kg
Process Specification	
Printer model:	Brady BSP61
DPI:	300 dpi
Printing speed:	50,8; 76,2 or 101,6 mm/sec
Barcode types:	1D and 2D barcodes
Label width:	5 - 115 mm
Label height:	3,2 - 60 mm
Technical Specification	
PCB Exchange time	< 4 sec
PCB Transport speed:	300 - 700 mm/sec
Transport height:	925 - 975 mm
Transport direction:	L $\Rightarrow$ R, R $\Rightarrow$ L (to be specified at time of order)
Controller:	Omron
Energy requirements:	1 P 110V or 1 P 230 V - 1 kVA
Compressed air:	6 - 20% bar, according to DIN ISO 8573 3.4.5
Color:	RAL 7035 ESD Safe
Dimensions (L x D x H):	500 x 1.000 x 1.961 mm
Weight:	250 kg
Interface:	Omron
Standards:	CE, SMEMA
Options	
1D/2D Reader	
Network interface to customer database	
600 dpi printer	
Fixed transport (PCB or carrier)	
Fixed transport with output buffer (PCB or carrier)	
Board orientation	

■ IPTE  
Geleenlaan 5  
3600 Genk  
Belgium  
Tel: +32 (0)89 623 000  
Fax: +32 (0)89 623 010  
Email: info@ipte.com

■ IPTE Sales  
Detailed information on our  
worldwide sales offices can  
be found on our website at  
[www.ipte.com](http://www.ipte.com)

WWW.IPTE.COM